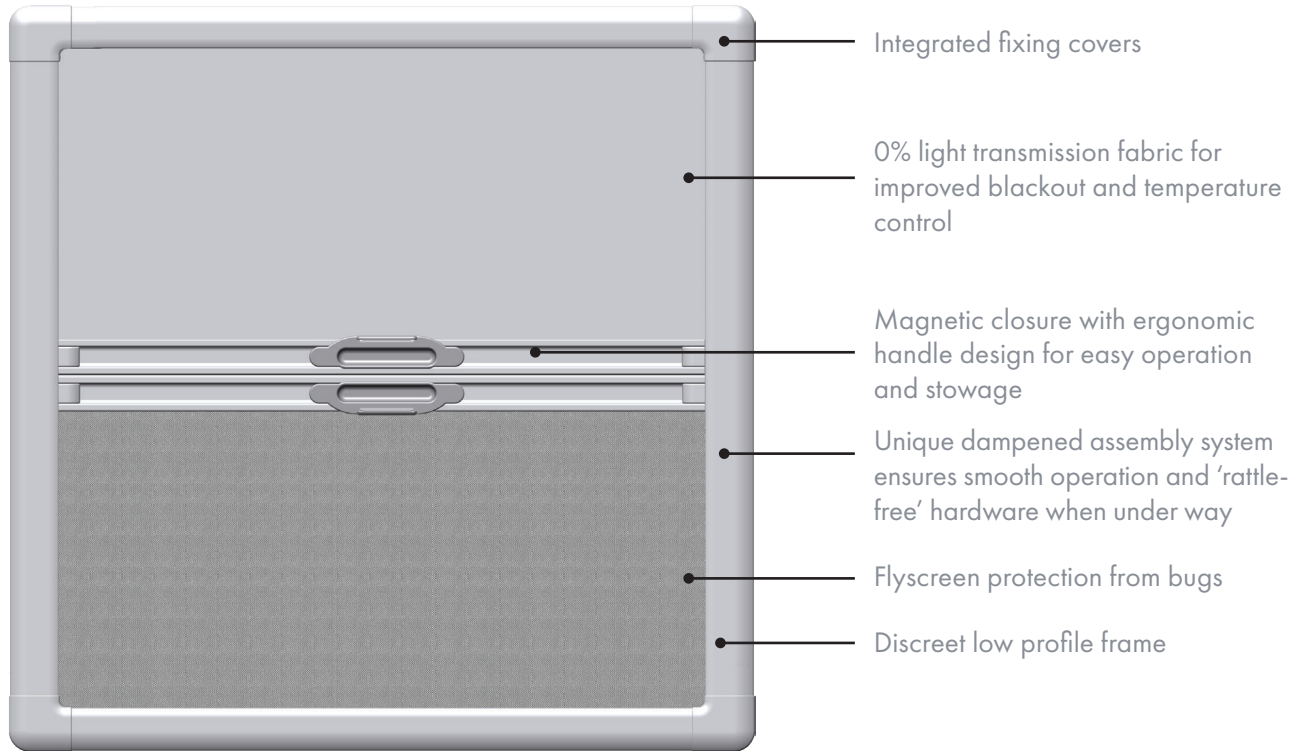




# seaSCREEN Roller

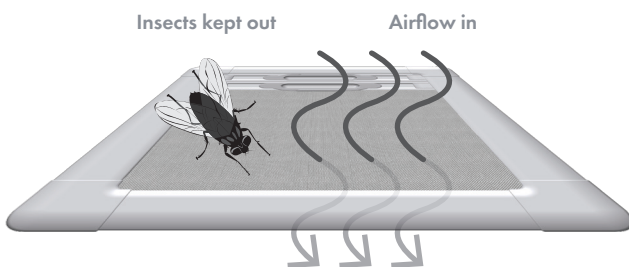


## Surface-mounted roller blind and flyscreen to fit any size marine hatch

- Elegant roller blind and flyscreen combined
- Onboard privacy and comfort
- Cabin light and temperature control
- Reduce UV damage
- Reduce glare
- Insect control
- Easy installation
- Low profile design with small footprint

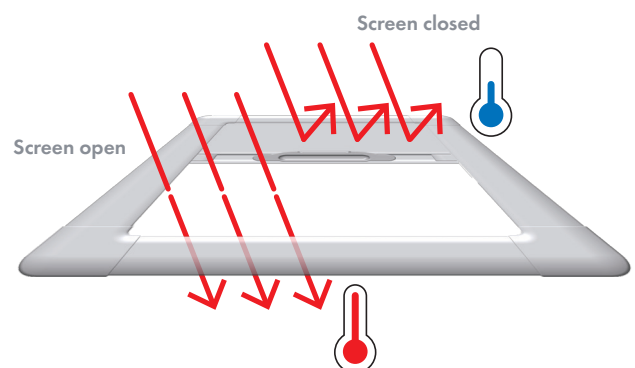
### Flyscreen

The PVC coated glass fibre weave of the Seaview flyscreen fabric allows air to flow around the cabin, while preventing minute insects access, as well as offering a long-lasting UV stable solution.



### Cabin temperature

By controlling light transmission and reflecting heat, hatch screens help control cabin temperature

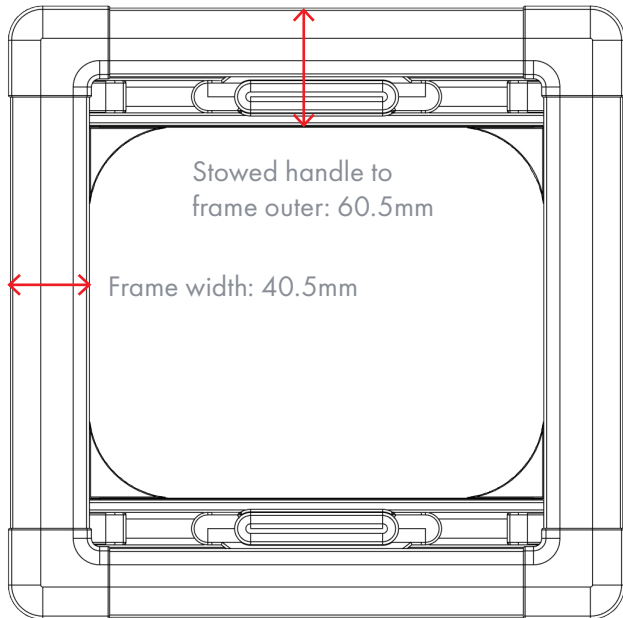




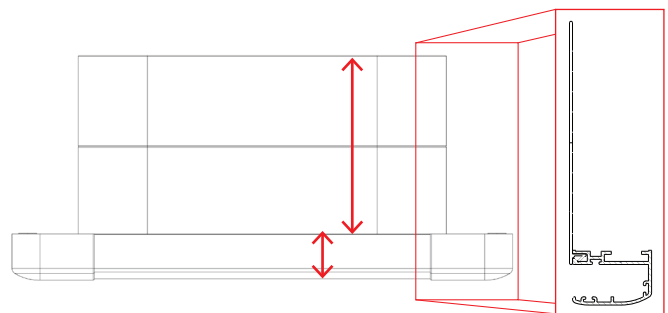
# seaSCREEN

## Surface Roller

Discreet low profile design with small frame footprint



For a near seamless finish between hatch and SEASCREEN, an additional liner simply clicks into the SEASCREEN frame and slots behind the hatch flange. Available with a corner radius of R42mm and with score lines spaced at 10mm intervals, the user-friendly liner is easily trimmed to any height from a maximum of 120mm.



Maximum liner height: 113mm  
Frame depth: 28.5mm

### SEASCREEN Roller

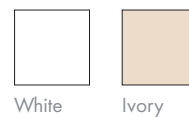
Available in the following standard sizes:

Part No.	To fit hatch	Width (W)	Drop (H)
10	Lewmar 10	260mm (10 1/4")	260mm (10 1/4")
20	Lewmar 20	347mm (13 5/8")	202mm (8")
30	Lewmar 30	457mm (18")	327mm (12 7/8")
40	Lewmar 40	421mm (16 1/2")	421mm (16 1/2")
44	Lewmar 44	442mm (17 3/8")	442mm (17 3/8")
50	Lewmar 50	507mm (20")	377mm (14 7/8")
54	Lewmar 54	507mm (20")	392mm (15 3/8")
60	Lewmar 60	507mm (20")	507mm (20")
70	Lewmar 70	627mm (24 5/8")	627mm (24 5/8")

Minimum and maximum dimensions:

	Width (W)	Drop (H)
Minimum	150mm	100mm
Maximum	650mm	650mm

#### Hardware colour options



#### Fabric colour options

