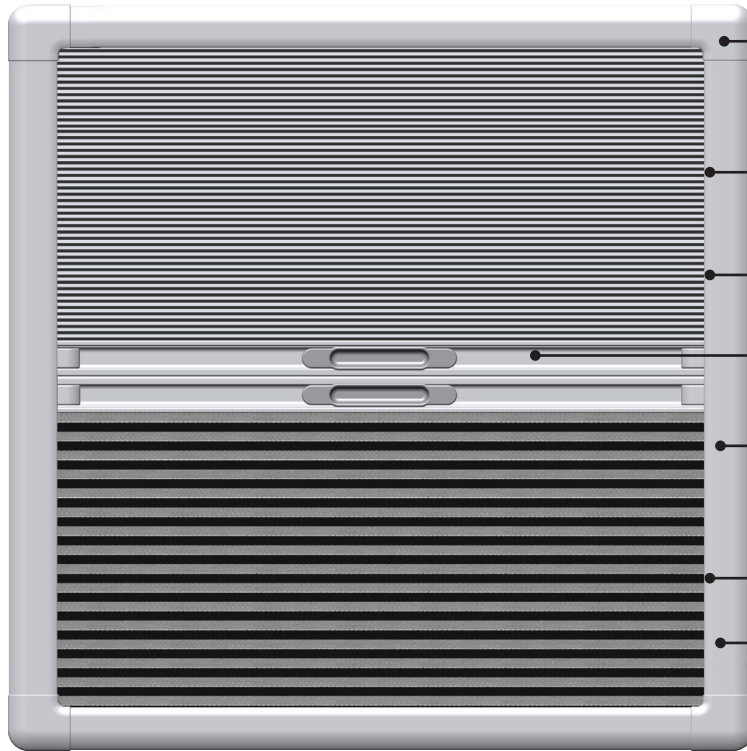




seaSCREEN

Pleated



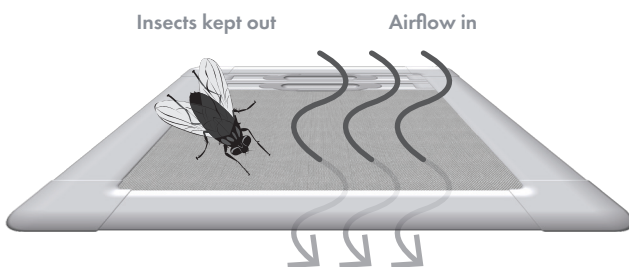
- Integrated fixing covers
- Honeycomb pleated fabric for complete blackout, insulation and concealed cording
- Replaceable fabric clips into place
- Ergonomic handle design for easy operation
- Unique assembly system ensures smooth operation and 'rattle-free' hardware when under way
- Elegant pleated flyscreen
- Discreet low profile frame

Surface-mounted pleated blind and flyscreen to fit any size marine hatch

- Elegant pleated blind and flyscreen combined
- Onboard privacy and comfort
- Cabin light and temperature control
- Reduce UV damage
- Reduce glare
- Insect control
- Easy installation
- Low profile design with small footprint

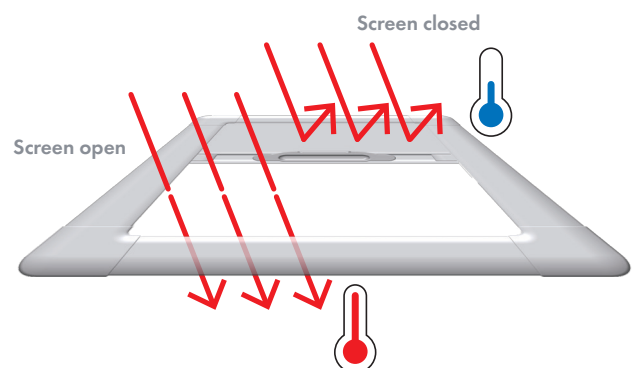
Flyscreen

The Seaview pleated flyscreen allows fresh air to flow in through the fabric, while keeping minute insects out, as well as offering a long-lasting UV stable solution.



Cabin temperature

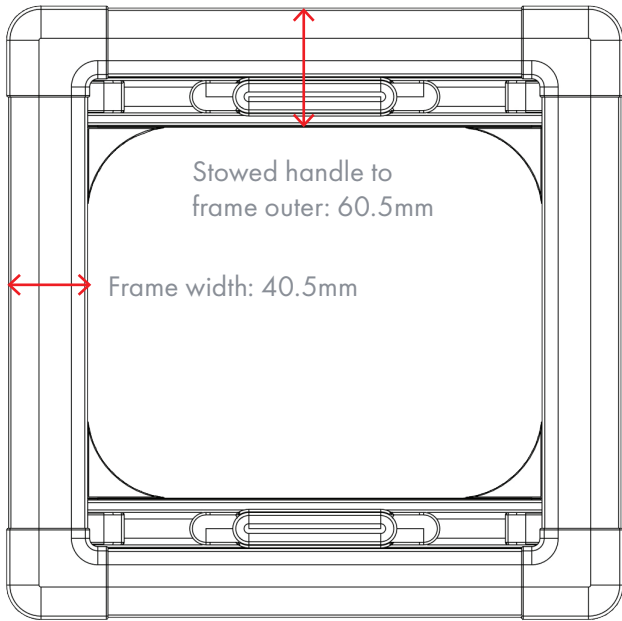
By controlling light transmission and reflecting heat, hatch screens help control cabin temperature



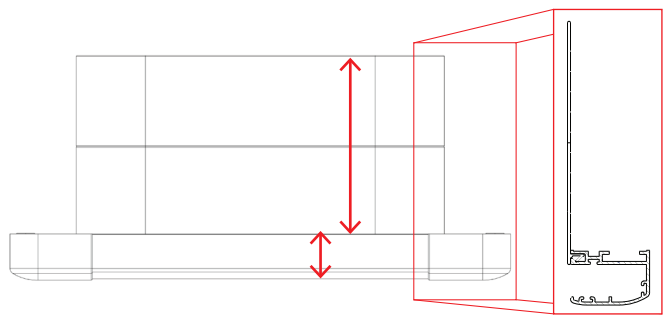


seaSCREEN Pleated

Discreet low profile design with small frame footprint



For a near seamless finish between hatch and SEASCREEN, an additional liner simply clicks into the SEASCREEN frame and slots behind the hatch flange. Available with a corner radius of R42mm and with score lines spaced at 10mm intervals, the user-friendly liner is easily trimmed to any height from a maximum of 120mm.



Maximum liner height: 113mm
Frame depth: 28.5mm

SEASCREEN Pleated

Available in the following standard sizes:

| Part No. | To fit hatch | Width (W) | Drop (H) |
|----------|--------------|-----------------|-----------------|
| 10 | Lewmar 10 | 261mm (10 1/4") | 261mm (10 1/4") |
| 20 | Lewmar 20 | 347mm (13 5/8") | 203mm (8") |
| 30 | Lewmar 30 | 457mm (18") | 327mm (12 7/8") |
| 44 | Lewmar 44 | 442mm (17 3/8") | 442mm (17 3/8") |
| 50 | Lewmar 50 | 507mm (20") | 377mm (14 7/8") |
| 54 | Lewmar 54 | 507mm (20") | 392mm (15 3/8") |
| 60 | Lewmar 60 | 507mm (20") | 507mm (20") |
| 70 | Lewmar 70 | 627mm (24 5/8") | 627mm (24 5/8") |
| 77 | Lewmar 77 | 699mm (27 1/2") | 699mm (27 1/2") |

Minimum and maximum dimensions:

| | Width (W) | Drop (H) |
|---------|-----------|----------|
| Minimum | 150mm | 100mm |
| Maximum | 800mm | 800mm |

Hardware colour options



Fabric colour options

