



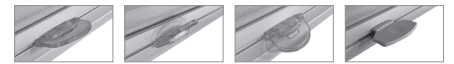
seaPLEAT Roof



Low profile discreet frame perfect for roof windows

Range of pleated and honeycomb fabrics for blackout, privacy and sheer

Ergonomic handle designs for easy operation – fixed or articulated



Articulated handle hinges up and down Fixed handle

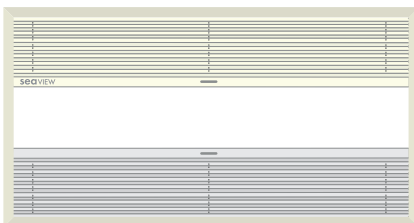
Dual system provides both blackout and privacy

Corded system to support the fabric and allow the blind to be in any position

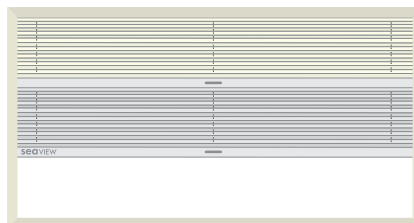
Elegant pleated blinds enclosed within a frame perfect for rooflights and windows

- Ideal for inclined windows and sunroofs
- Multiple fabrics in one blind for day or night use
- Multiple rail, stack and fabric configurations
- Honeycomb or plissé fabrics
- Low profile hardware available in four colours
- Cabin light and temperature control
- Articulating plastic or fixed metal handle
- Manual or powered options

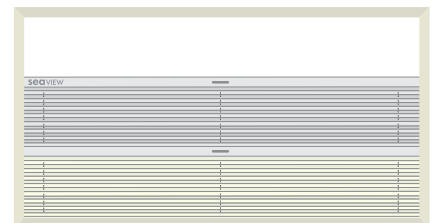
SEAPLEAT Roof rail and fabric configurations:



Dual rails and fabrics configured top & bottom



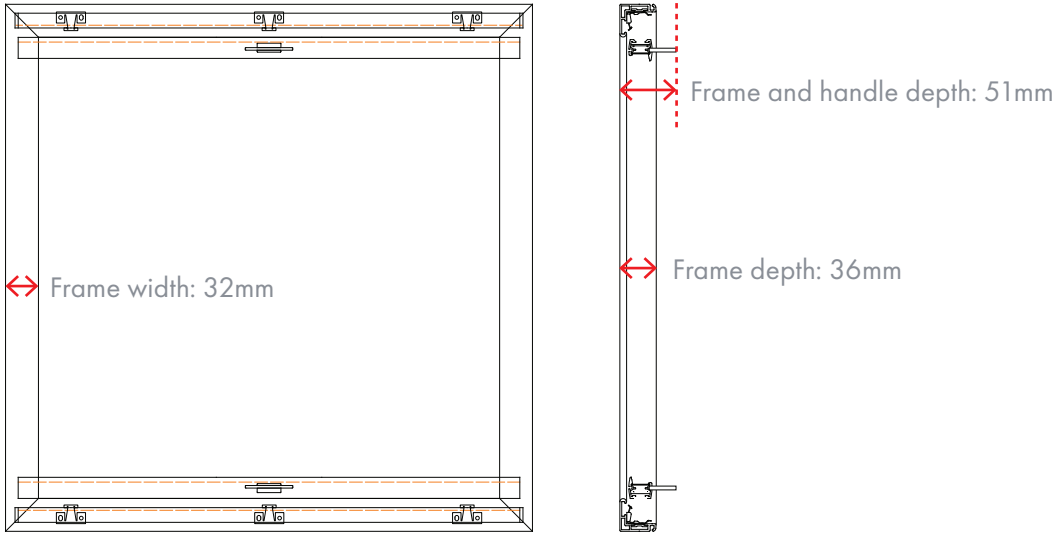
Dual rails and fabrics configured top & top



Dual rails and fabrics configured bottom & bottom

Drawings are illustrative only.

Discreet low profile design with small frame footprint



SEAPLEAT Fabric options

Pleat type	Light transmission	Colours
Plissé	Sheer	
Plissé	Privacy	
Plissé	Blackout	
Honeycomb	Sheer	
Honeycomb	Blackout	

Minimum and maximum dimensions

	Powered		Manual	
	Width (X)	Drop (Y)	Width (X)	Drop (Y)
Minimum	500mm	150mm	150mm	150mm
Maximum	1400mm	2500mm	1400mm	2500mm

Fabric colour key



Hardware colour options

